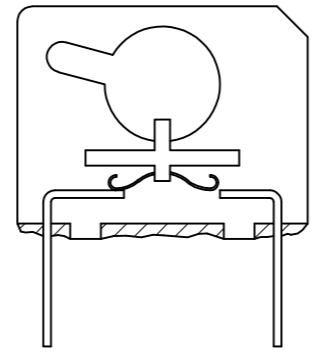
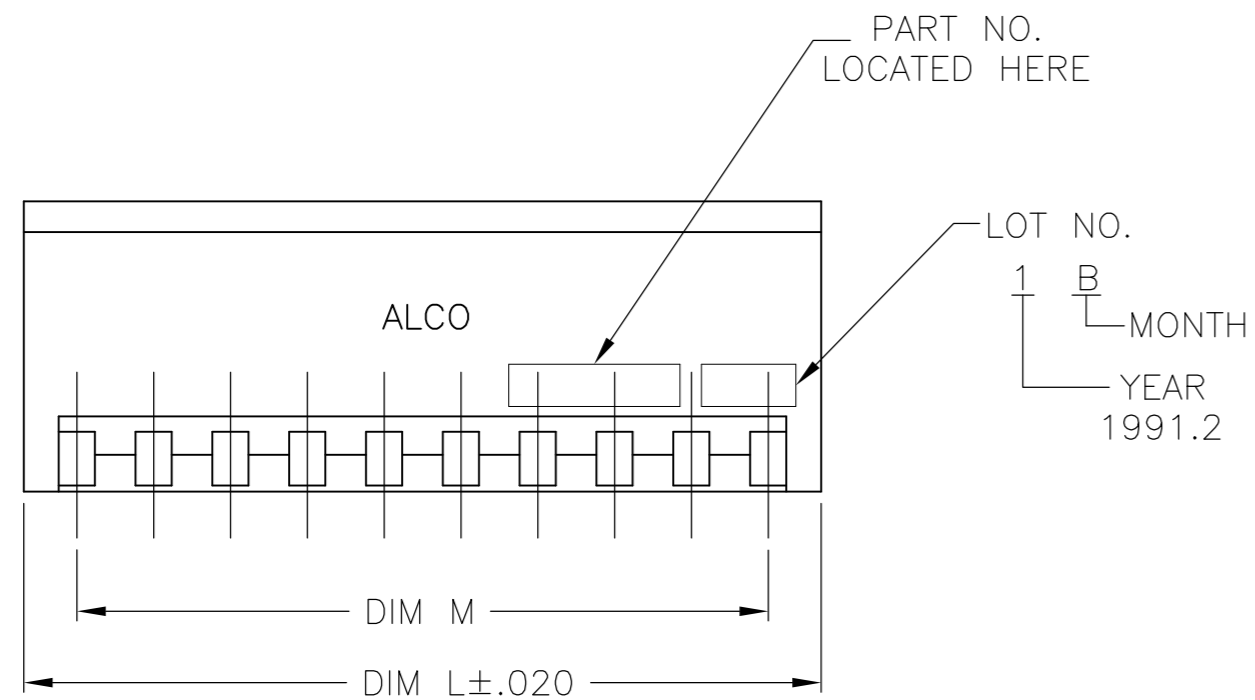
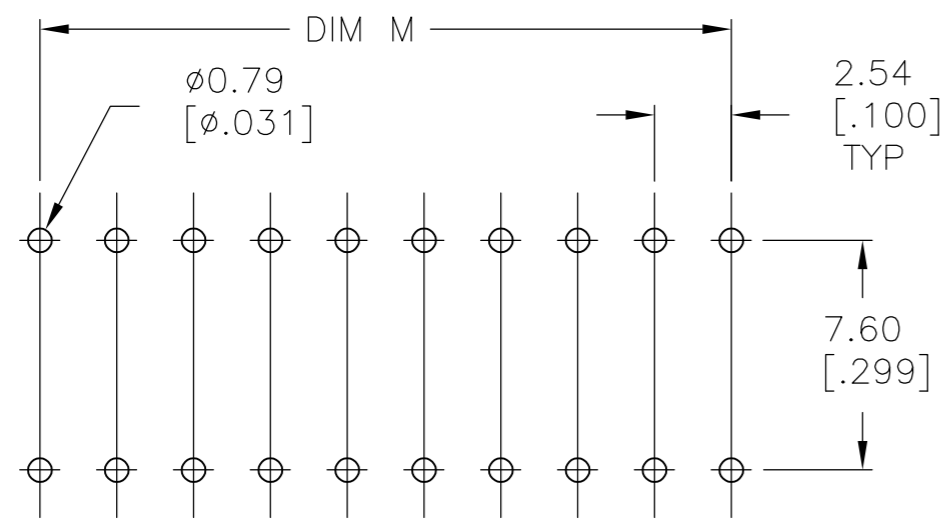
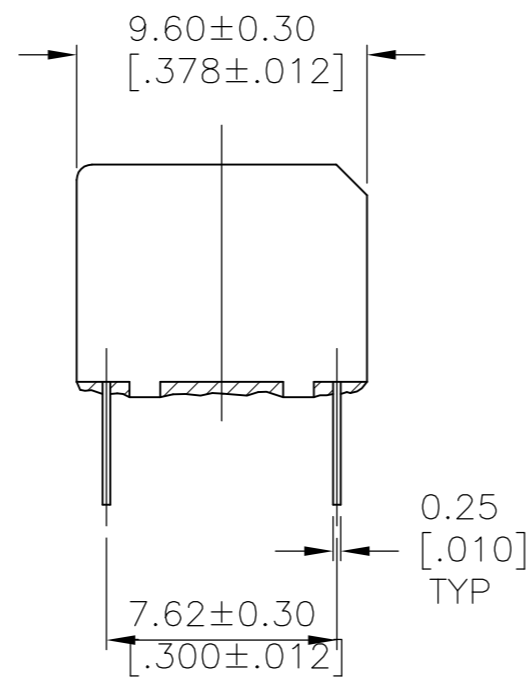
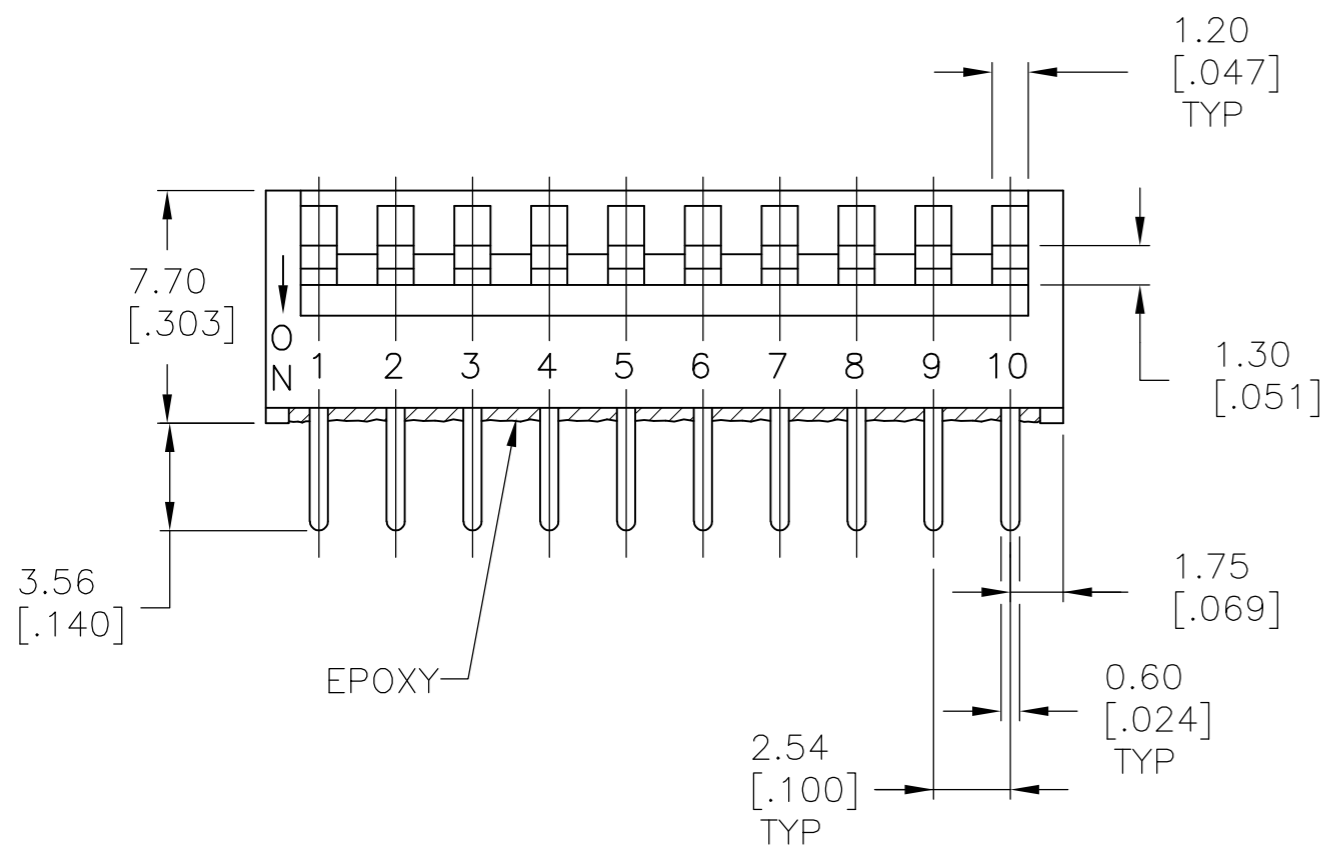


LOC		DIST		REVISIONS			
P	LTR	DESCRIPTION		DATE	DWN	APVD	
AD	00	A5		REVISED PER ECO-11-004820	11MAR11	RK HMR	



CROSS SECTION



RECOMMENDED BOARD LAYOUT

THRU HOLE VERSION

SPECIFICATIONS:

MATERIALS:

CASE: PPS, UL94V0-BLACK
 COVER: PPS, UL94V0-BLACK
 ACTUATOR: LCP, UL94V0-WHITE
 CONTACTS AND TERMINALS: COPPER ALLOY, GOLD OVER NICKEL
 TAPE SEAL: POLYIMIDE FILM

ELECTRICAL:

CONTACT RATING: NON-SWITCHING: 100MA @ 50VDC
 SWITCHING: 25MA 24VDC
 INITIAL CONTACT RESISTANCE: 100 MILLIOHMS MAX. @ 2VDC, 10MA
 INSULATION RESISTANCE: 100 MEGOHMS MIN. @ 100VDC
 DIELECTRIC STRENGTH: 300VAC FOR 1 MINUTE
 LIFE EXPECTANCY: 1000 CYCLES

MECHANICAL:

ACTUATION FORCE: 600 GRAMS MAX

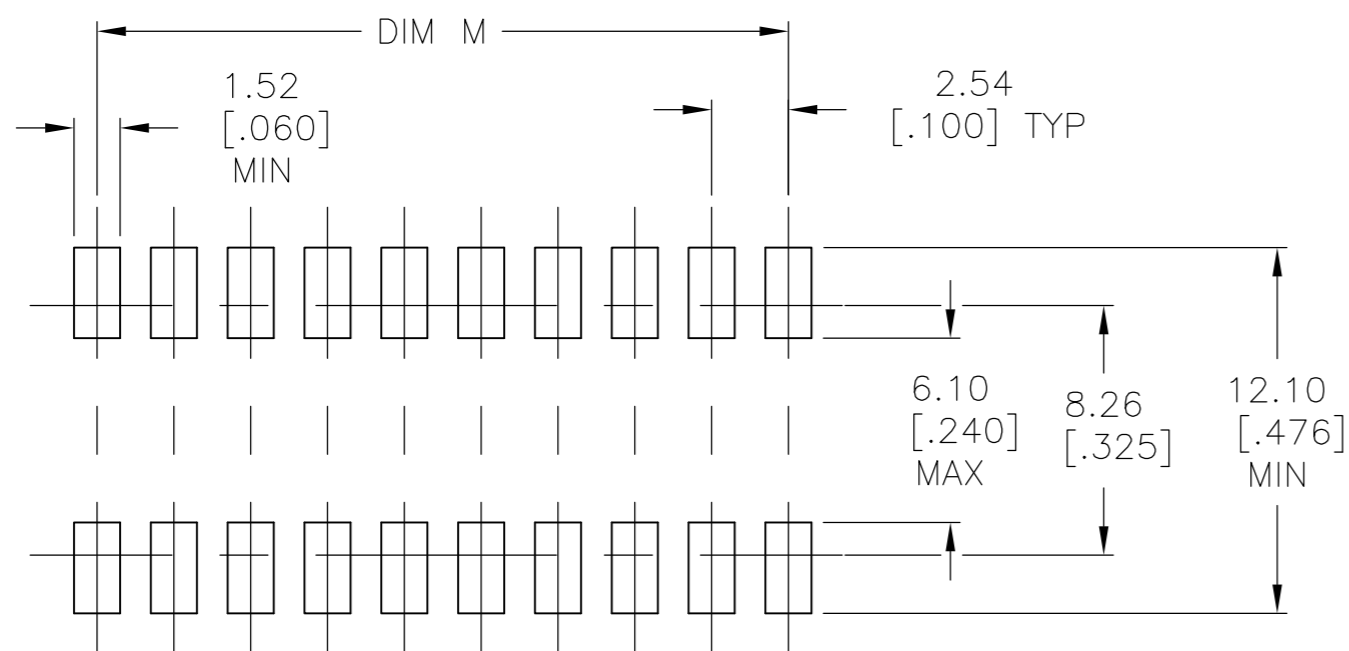
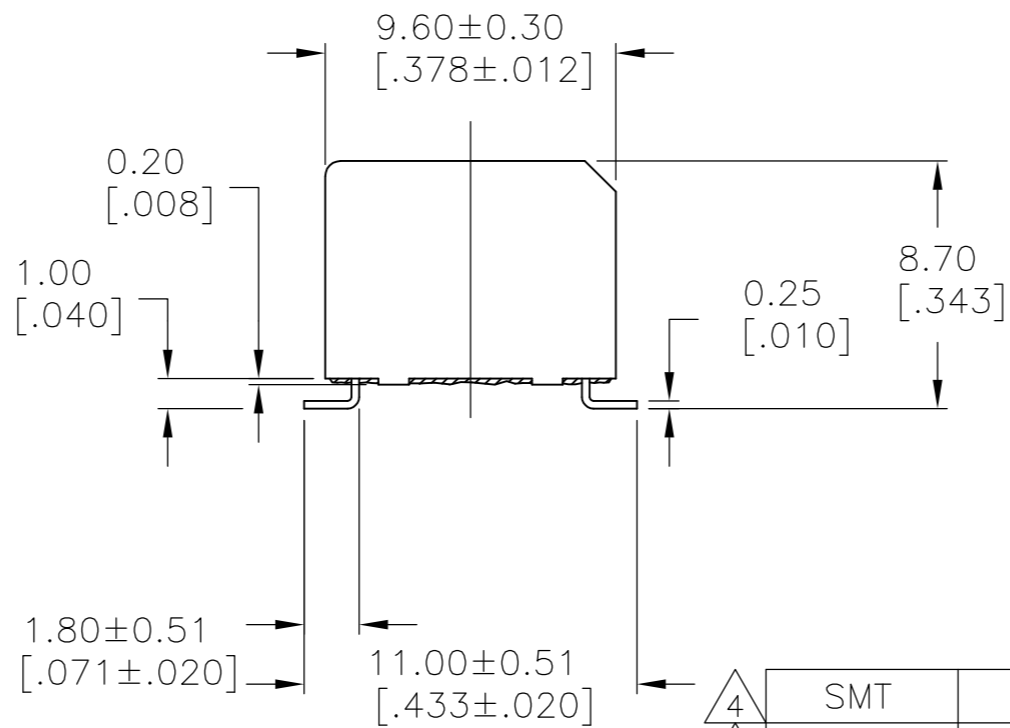
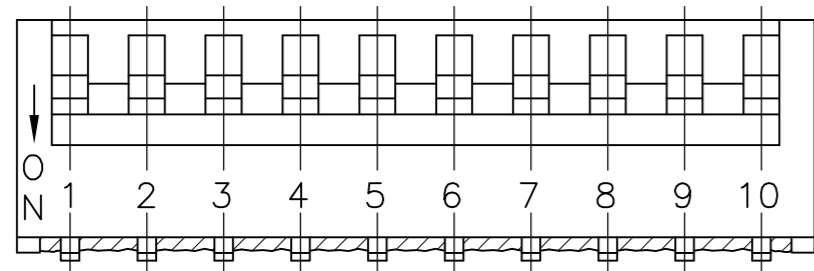
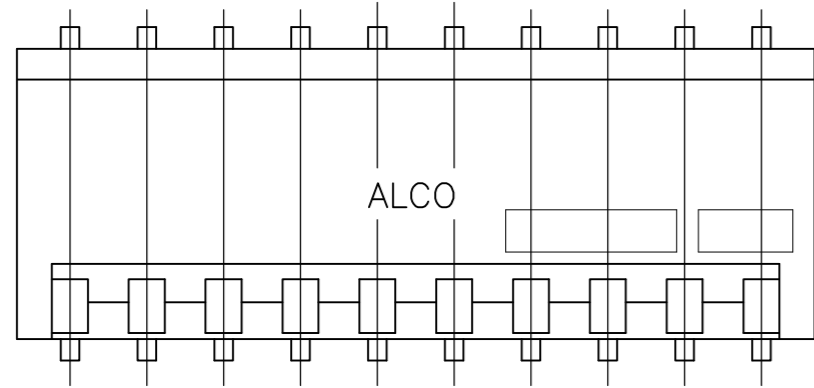
ENVIRONMENTAL:

OPERATING TEMPERATURE: -30°C TO +85°C
 STORAGE TEMPERATURE: -45°C TO +100°C
 SOLDER HEAT RESISTANCE PER 109-202, CONDITION B (THRU-HOLE) OR 109-201, CONDITION B (SMT)
 SOLDERABILITY PER JIS C 0500 & JIS C 0053

- FOR P/N TABLE & SURFACE MOUNT DETAILS SEE SHEET 2
- TAPE AND REEL PACKAGING PER EIA 481 - PART NO.S GDSXXSTR.
- ALL MATERIALS AND FINISHES SHALL COMPLY WITH EU DIRECTIVE 2002/95/EC OF 27JAN2003 (ROHS)
- SWITCH TO BE RECEIVED IN THE "ON" POSITION.
- OBsolete PARTS: OBsolete CIS STREAMLINING PER D.RENAUD/D.SINISI

THIS DRAWING IS A CONTROLLED DOCUMENT.		DWN	R BROWN	04JAN06		TE Connectivity				
DIMENSIONS: mm [INCHES]		CHK	M SARVER	04JAN06		NAME				
TOLERANCES UNLESS OTHERWISE SPECIFIED:		APVD	M SARVER	04JAN06		DIP SWITCH ASSEMBLY GDP SERIES				
0 PLC ± - 1 PLC ± - 2 PLC ± .030 (.012) 3 PLC ± - 4 PLC ± - ANGLES ± -		PRODUCT SPEC	APPLICATION SPEC			SIZE	CAGE CODE	DRAWING NO	RESTRICTED TO	
MATERIAL	FINISH	WEIGHT	-		A2	-	C=1571998	-		
CUSTOMER DRAWING					SCALE	4:1	SHEET	1 OF 2	REV	A5

LOC	DIST	REVISIONS					
AD	00	P	LTR	DESCRIPTION	DATE	DWN	APVD
		-		SEE SHEET 1		-	-



RECOMMENDED BOARD LAYOUT
 BOARD LAYOUT TOLERANCE
 ±.002 FOR ALL DIMENSIONS

SURFACE MOUNT VERSION

4	SMT	TAPE	7.62 [.300]	11.13 [.438]	4	GDP04STRON04	2-1571998-2
4	SMT	TAPE	17.78 [.700]	21.29 [.838]	8	GDP08STRON04	2-1571998-1
5	OBSOLETE	SMT	22.86 [.900]	26.37 [1.038]	10	GDP10STR04	2-1571998-0
5	OBSOLETE	SMT	22.86 [.900]	26.37 [1.038]	10	GDP10S04	1-1571998-9
5	OBSOLETE	T/H	NONE	22.86 [.900]	10	GDP10NTS04	1-1571998-8
5	OBSOLETE	T/H	TAPE	22.86 [.900]	10	GDP1004	1-1571998-7
5	OBSOLETE	SMT	17.78 [.700]	21.29 [.838]	8	GDP08STR04	1-1571998-6
5	OBSOLETE	SMT	17.78 [.700]	21.29 [.838]	8	GDP08S04	1-1571998-5
5	OBSOLETE	T/H	NONE	17.78 [.700]	8	GDP08NTS04	1-1571998-4
5	OBSOLETE	T/H	TAPE	17.78 [.700]	8	GDP0804	1-1571998-3
5	OBSOLETE	SMT	12.70 [.500]	16.21 [.638]	6	GDP06STR04	1-1571998-2
5	OBSOLETE	SMT	12.70 [.500]	16.21 [.638]	6	GDP06S04	1-1571998-1
5	OBSOLETE	T/H	NONE	12.70 [.500]	6	GDP06NTS04	1-1571998-0
5	OBSOLETE	T/H	TAPE	12.70 [.500]	6	GDP0604	1571998-9
5	OBSOLETE	SMT	7.62 [.300]	11.13 [.438]	4	GDP04STR04	1571998-8
5	OBSOLETE	SMT	7.62 [.300]	11.13 [.438]	4	GDP04S04	1571998-7
5	OBSOLETE	T/H	NONE	7.62 [.300]	4	GDP04NTS04	1571998-6
5	OBSOLETE	T/H	TAPE	7.62 [.300]	4	GDP0404	1571998-5
5	OBSOLETE	SMT	2.54 [.100]	6.05 [.238]	2	GDP02STR04	1571998-4
5	OBSOLETE	SMT	2.54 [.100]	6.05 [.238]	2	GDP02S04	1571998-3
5	OBSOLETE	T/H	NONE	2.54 [.100]	2	GDP02NTS04	1571998-2
5	OBSOLETE	T/H	TAPE	2.54 [.100]	2	GDP0204	1571998-1
	MTG	SEAL	DIM M	DIM L	POLE	OLD T&B P/N	P/N

THIS DRAWING IS A CONTROLLED DOCUMENT.

DWN	R BROWN	04JAN06
CHK	M SARVER	04JAN06
APVD	M SARVER	04JAN06

TE Connectivity

DIP SWITCH ASSEMBLY
GDP SERIES

SIZE	A2	CAGE CODE	-	DRAWING NO	C=1571998	RESTRICTED TO	-
SCALE	4:1	SHEET	2 OF 2	REV	A5		

CUSTOMER DRAWING